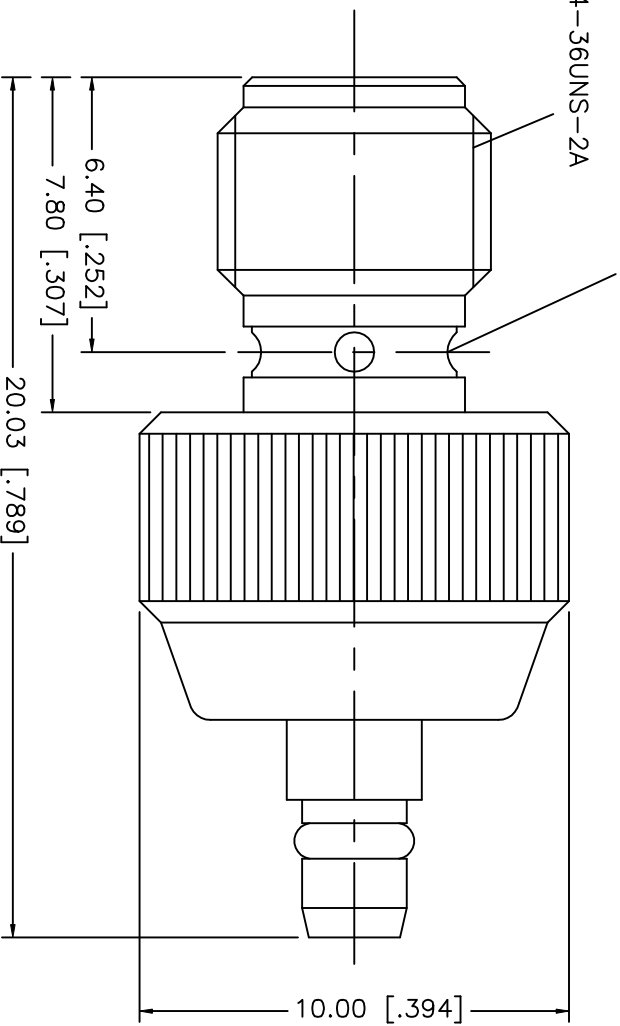


REV.	DATE	DESCRIPTION
NC	09/22/02	INITIAL RELEASE

STAKE IN 4 PLACES  
EQUALLY SPACED 90° APART

1/4-36UNS-2A



8				UNLESS OTHERWISE SPECIFIED DIMENSIONS ARE IN MILLIMETERS	APPROVALS	DATE	TITLE			REV.
7				DIMENSIONS IN [ ] ARE IN INCHES FOR CUSTOMER REFERENCE ONLY	DRAWN G.R.S.	09/22/02	SMA JACK TO MMCX PLUG ADAPTER			NC
6					CHECKED		Amphenol – Connex CONNECTOR CORPORATION			
5	RETAINER RING	BER. COPPER	GOLD		ISSUED		SIZE	FSOM NO.	DWG. NO.	
4	CONTACT PIN	BER. COPPER	GOLD				A	99001	242141	242141.DWG
3	INSULATOR	TEFLON	NATURAL	UNLESS OTHERWISE SPECIFIED TOLERANCES FOR INCHES ARE: .XXX = ± 0.005" .XX = ± 0.010" .X = ± 0.020"			SCALE	PART NO.	SHEET	OF
2	BODY	BRASS	GOLD				NA	242141	1	1
1	HOUSING	BRASS	GOLD							
	DESCRIPTION	MATERIAL	FINISH	DO NOT SCALE DRAWING						